



HAYWARD[®]

*superceded
old style*



Simplex Basket Strainers

1/2" to 8" - PVC, Corzan[®] CPVC

1-1/2" to 2" - PPL



Upper photo is 2" pipeline-size plastic basket strainer with cover removed and photo at right illustrates the 8" size

Features

- Low Pressure Drop
- Wide Choice of Baskets
- Rated to 150 PSI
- Viton[®] Seal
- In-line Piping Design
- Hand Removable Cover

Options

- Stainless Steel Strainer Baskets
- EPDM Seals

Protect System Components

When pipeline system components require protection from dirt and debris, and the line can be shut down for basket cleaning, a Hayward All Plastic Simplex Basket Strainer is the ideal choice. Unwanted particles are removed as the process media passes through a perforated strainer basket contained inside the strainer body. The basket entraps the unwanted material while allowing the process media to flow freely.

Easy Basket Cleaning

Changing the basket is quick and easy. Just spin off the hand removable cover, no tools are needed, and lift out the dirty basket for cleaning or replacement.

Low Pressure Drop Design

All sizes of Hayward Plastic Basket Strainers feature a strainer basket with a large ratio of open area to the equivalent across sectional pipe area. This provides maximum straining capacity with minimum pressure drop.

Wide Range of Baskets

Plastic baskets in perforation sizes from 1/32" to 3/16" are available. Baskets made from type 316 stainless steel are available in perforation sizes from 1/2" down to a super fine 325 mesh.

All-Plastic Construction

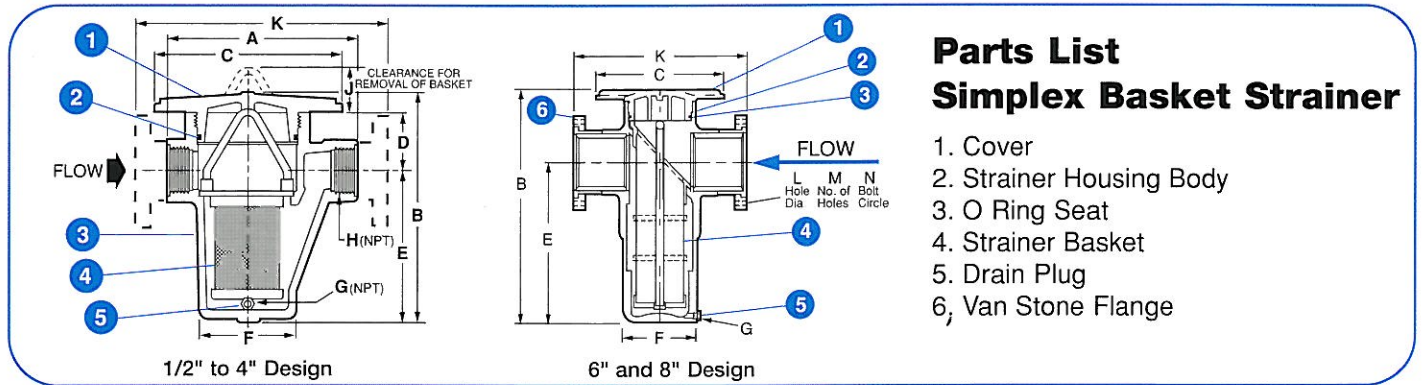
Hayward Plastic Simplex Basket Strainers will never rust or corrode and they don't require painting or coating to survive corrosive environmental conditions.

PIPELINE STRAINERS & FILTERS

Corzan[®] is a registered trademark of Noveon, Inc.
Viton[®] is a trademark of DuPont Dow Elastomers

Technical Information

"old" style



Parts List Simplex Basket Strainer

1. Cover
2. Strainer Housing Body
3. O Ring Seat
4. Strainer Basket
5. Drain Plug
6. Van Stone Flange

Dimensions - Inches / Millimeters

Size	A	B	C	D	E	F	G	H	J	K	Weight (lb / kg)		Volume (gal / liters)
											Skt / Thd	Flg	
1/2"	7.00 / 178	8.50 / 216	7.00 / 178	2.18 / 55	5.25 / 133	3.56 / 90	0.38	0.50	7.00 / 178	n/a	3.23 / 1.47	n/a	0.20 / 0.75
3/4"	7.00 / 178	8.50 / 216	7.00 / 178	2.18 / 55	5.25 / 133	3.56 / 90	0.38	0.75	7.00 / 178	n/a	3.23 / 1.47	n/a	0.20 / 0.75
1"	7.00 / 178	8.50 / 216	7.00 / 178	2.18 / 55	5.25 / 133	3.56 / 90	0.38	1.00	7.00 / 178	9.50 / 241	3.23 / 1.47	4.20 / 1.90	0.20 / 0.75
1-1/2"	10.38 / 264	12.38 / 314	10.38 / 264	3.20 / 81	8.00 / 203	5.50 / 140	0.38	1.50	10.25 / 260	13.38 / 340	12.50 / 5.68	13.75 / 6.25	0.70 / 2.70
2"	10.38 / 264	12.38 / 314	10.38 / 264	3.20 / 81	8.00 / 203	5.50 / 140	0.38	2.00	10.25 / 260	13.63 / 346	12.50 / 5.68	13.75 / 6.25	0.70 / 2.70
3"	15.13 / 384	16.90 / 429	15.00 / 381	4.38 / 111	10.62 / 270	7.00 / 178	0.38	3.00	12.50 / 318	19.00 / 483	21.00 / 9.54	26.00 / 11.8	2.10 / 7.90
4"	15.13 / 384	21.13 / 537	15.00 / 381	4.38 / 111	14.80 / 376	7.00 / 178	0.38	4.00	16.50 / 419	20.00 / 508	24.00 / 10.9	32.00 / 14.5	2.80 / 10.50
6"	n/a	26.84 / 682	15.00 / 381	n/a	18.45 / 469	8.51 / 216	0.50	n/a	21.50 / 546	20.00 / 508	n/a	50.00 / 22.7	6.14 / 23.10
8"	n/a	33.59 / 853	15.00 / 381	n/a	25.20 / 640	8.51 / 216	0.50	n/a	28.25 / 718	22.67 / 576	n/a	70.00 / 31.8	8.58 / 32.26

Pressure Drop Calculations

Cv Factors

Size	Factor	Size	Factor
1/2"	5.3	3"	150
3/4"	7.5	4"	350
1"	12	6"	1000
1-1/2"	18	8"	750
2"	50		

Basket Perforation Correction Factors

For 1/2" to 4" Strainers

Plastic Baskets	Stainless Steel Baskets
1/32" 1.05	1/32" .82
1/16" 1.00	3/64" .63
1/8" .58	1/16" .74
3/16" .46	5/64" .50
	7/64" .51
	1/8" .58
	5/32" .37
	3/16" .46
	1/4" .58
	20 Mesh .79
	40 Mesh 1.01
	60 Mesh 1.20
	80 Mesh 1.16
	100 Mesh 1.20
	200 Mesh 1.09
	325 Mesh 1.22

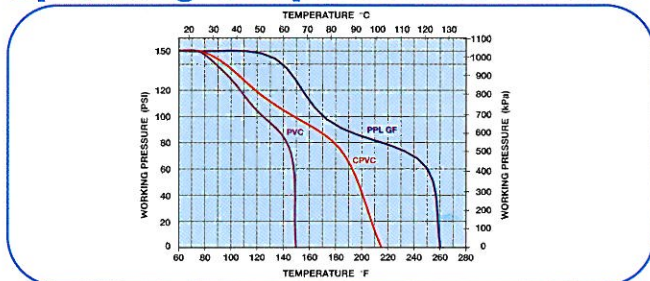
For 6" to 8" Strainers

Plastic Baskets	Stainless Steel Baskets
1/8" 2.00	1/32" 2.25
3/16" 1.50	3/64" 1.73
	1/16" 2.03
	5/64" 1.37
	7/64" 1.40
	1/8" 1.58
	5/32" 1.00
	3/16" 1.26
	1/4" 1.58
	20 Mesh 2.16
	40 Mesh 2.79
	60 Mesh 3.28
	80 Mesh 3.18
	100 Mesh 3.30
	200 Mesh 2.98
	325 Mesh 3.33

The above Cv Factors were determined using a 1/16" perforated plastic basket in 1/2" through 4" strainers and a 5/32" perforated stainless steel basket in 6" and 8" strainers. For other size basket perforations, multiply by the correction factor in the above Correction Factor charts.

The pressure drop across the strainer, for water or fluids with a similar viscosity, can be calculated using the formula at the right: $\Delta P = \left[\frac{Q}{Cv} \right]^2$ Where ΔP = Pressure Drop, Q = Flow in GPM, Cv = Flow Coefficient

Operating Temperature/Pressure



Selection Chart

Size	Material	End Connection	Seal*	Rating
1/2" to 4"	PVC, CPVC	Thd, Skt, Flg	Viton®	150 PSI @ 70F
1" to 2"	PPL	Thd, Flg	Viton®	
6" to 8"	PVC, CPVC	Flg	Viton®	

*EPDM seals POA.

Basket Selection

- The 1/2" to 1" strainers can be ordered with either a 1/32" or 1/16" perf plastic basket.
- The 1-1/2" and 2" with a 1/32", 1/16", 1/8", or 3/16" perf plastic basket.
- The 3" and 4" with a 1/16", 1/8" or 3/16" perf plastic basket.
- The 6" and 8" with a 1/8" or 3/16" perf plastic basket.
- Stainless steel baskets for all size strainers are available in these perms: 1/32", 3/64", 1/16", 5/64", 7/64", 1/8", 5/32", 3/16", 1/4", 3/8", 1/2"; and in mesh sizes: 20, 40, 60, 80, 100, 200, 325



Hayward Industrial Products, Inc.

One Hayward Industrial Drive, Clemmons, NC 27012
 Tel: 1-888-429-4635 (1-888-HAYINDL) • Fax: 1-888-778-8410
 E-mail: industrial@haywardnet.com
 Web Site: http://www.haywardindustrial.com

Hayward Industrial Products (UK) Ltd.

Unit 2, Crowngate, Wyncolls Road
 Colchester, Essex CO4 9HZ
 Tel: +44 (0) 1206 854454 • Fax: +44 (0) 1206 851240